

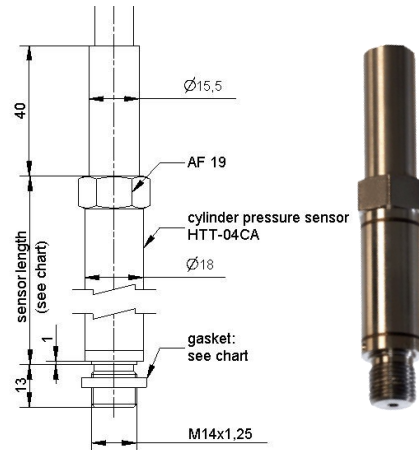
Cylinder Pressure Sensor HTT-04CA®

for On-line Combustion control

Cylinder pressure sensor for on-line combustion control on diesel- and gas engines for increasing engine performance and optimised engine control.

Characteristics

- Designed life expectancy of 16,000 h
- Digital electronic with event storing
- Very good thermodynamic performance
- ATEX, CSA and Marine classifications



Application:

Closed loop control on internal combustion engines e.g. knock detection, cylinder balancing, MIP calculation, start of combustion, NOx control

Technical data

Measuring range pressure	0...300 bar
Over pressure static	1200 bar (option 1500 bar)
Frequency range	2 kHz (others on request)
Thermal shock 1500 RPM pmi=10bar	< +/- 0,5 bar
Accuracy	≤1% Full scale
Max. temperature at measuring cell	300 °C (short time 1 min 350°C)
Temperature range of SCU	-40 °C ... + 75 °C
Supply voltage	18...32 VDC
SCU current consumption	≤50 mA (continuous operation); 250 mA (switch-on peak)
Output signal range	4...20 mA
Electrical connector	HT0E10-6P-F42-A34-SPL acc.to MIL-C-26482
Thread	M14 x 1,25
Dimension sensor	52 mm , Ø 18 mm
Dimension electronic	138 mm x 18 mm
Tightening torque	25 Nm
Weight incl. electronic	346 g (0,4 m cable), 563 g (1,6m cable)

General specifications

Degree of protection	IP 67 (EN 60529)
CE approval	2004/1008/EG EN 61000-6-2 EN 61000-6-4 EN 61326-1
ATEX type approval	Group II, Category 3G
CSA approval	Class I, Div 2, Groups C & D
Marine qualification	
Bureau Veritas	22266/A0 BV
Desk Norske Veritas	A-11717
Germanischer Lloyd	12601-10HH
A. Bureau. of shipping	10-HG638434-PDA
Lloyd's Register	ETS 25706-11
NK Class	TA14675M
China Classification Society	HB15T00025

Optimum sensor life is achieved at an average temperature at the measuring element of 200-250 °C.

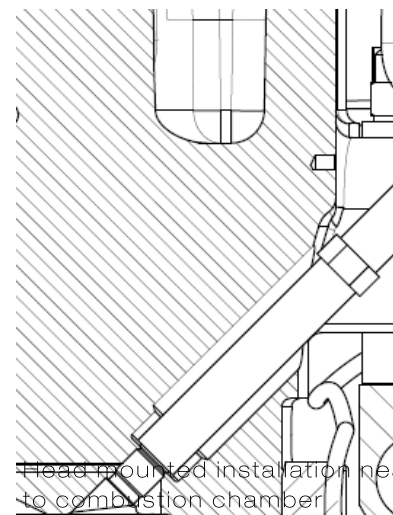
The life expectancy of the sensor has been designed so that the life of 16,000 h or more can be achieved in a gas engine. at 1500 rpm.

Mounting

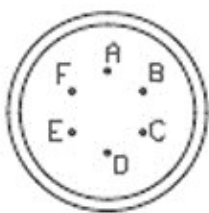
The sensor should be installed close to the combustion chamber, the length of the pressure bore between sensor and combustion chamber depends mainly on engine speed.

Generally there are two possibilities for the installation position of cylinder pressure sensors:

Head mounted or set-back mounted.



Connector



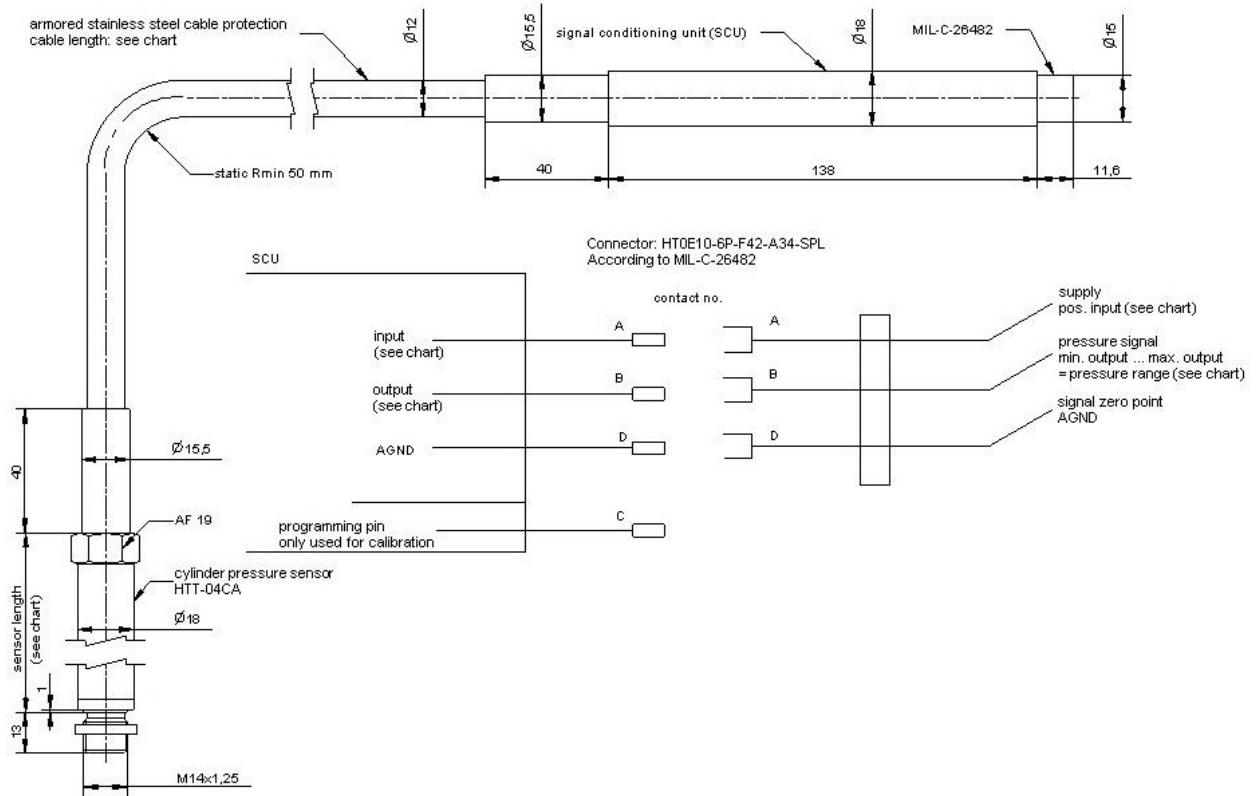
A = Power supply 18 - 32 V

B = Pressure signal output 4...20mA

D = Signal zero point / Power GND

C = Programming pin, only used for calibration

E, F not connected



Product No.	Pressure range	Sensor length	Cable length	Static overpressure
IW-6031	0 - 3000 psi	52 mm	1,60 m	12000 psi
IW-6032	0 - 1500 psi	52 mm	1,60 m	7500 psi
IW-6033	0 - 5000 psi	52 mm	1,60 m	12000 psi
IW-6242	0 - 300 bar	52 mm	0,40 m	1200 bar
IW-6243	0 - 300 bar	52 mm	0,40 m	1500 bar
IW-6250	0 - 300 bar	52 mm	1,60 m	1200 bar
IW-6251	0 - 300 bar	52 mm	1,60 m	1500 bar
IW-6252	0 - 300 bar	105 mm	0,60 m	1200 bar

Optional Accessories

Protection cover

Connecting cable 5m

Connecting cable 10m

Product No.

IW-6210

IW-4132

IW-4133